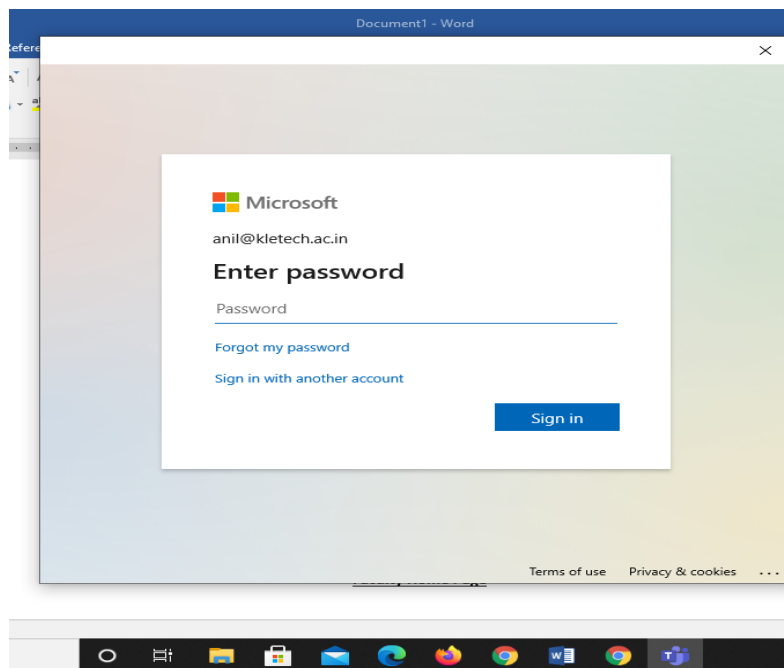
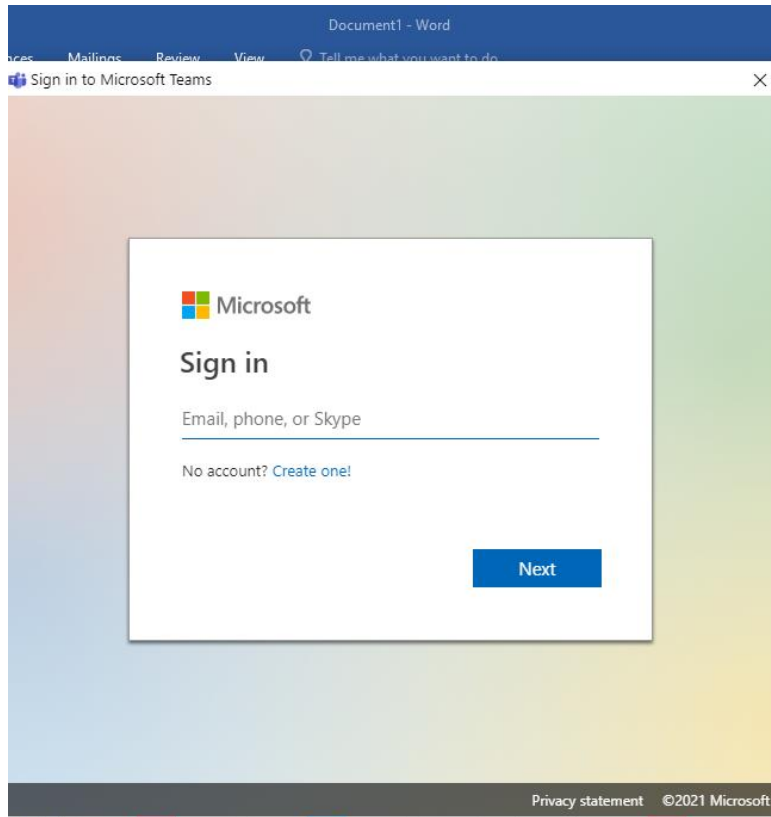
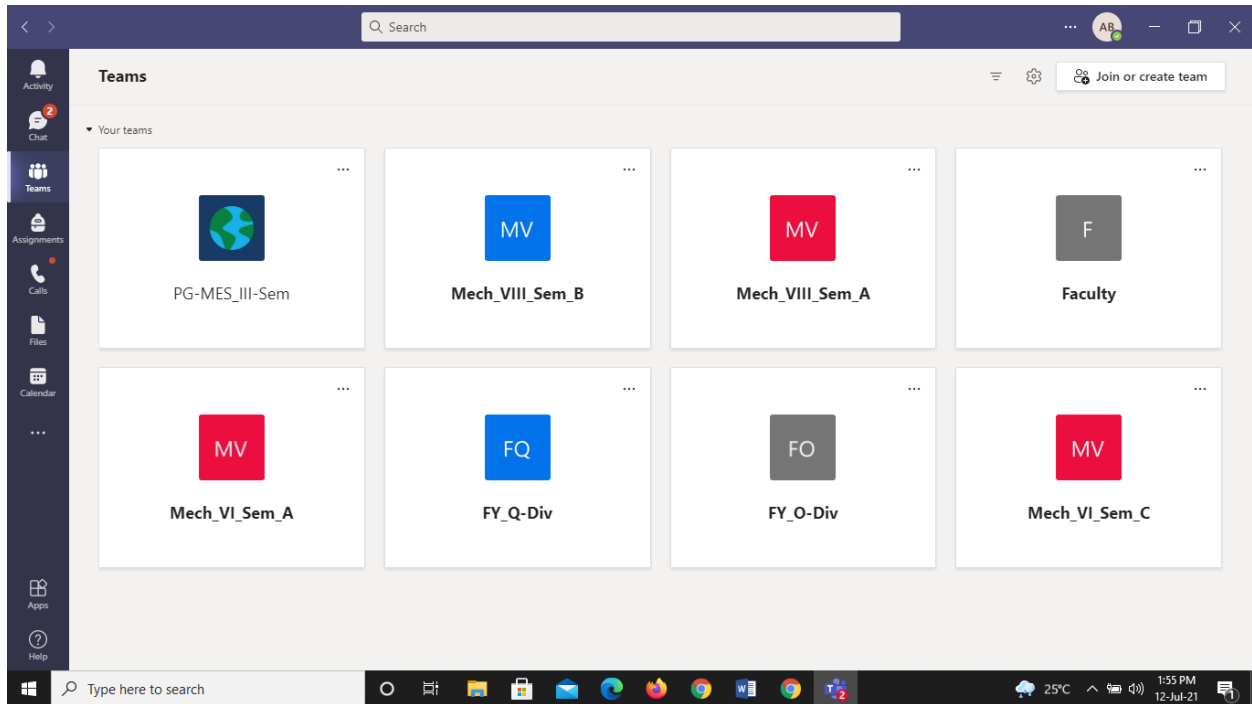


Screen shots Showing shots MS Teams Platform for Synchronous Classes

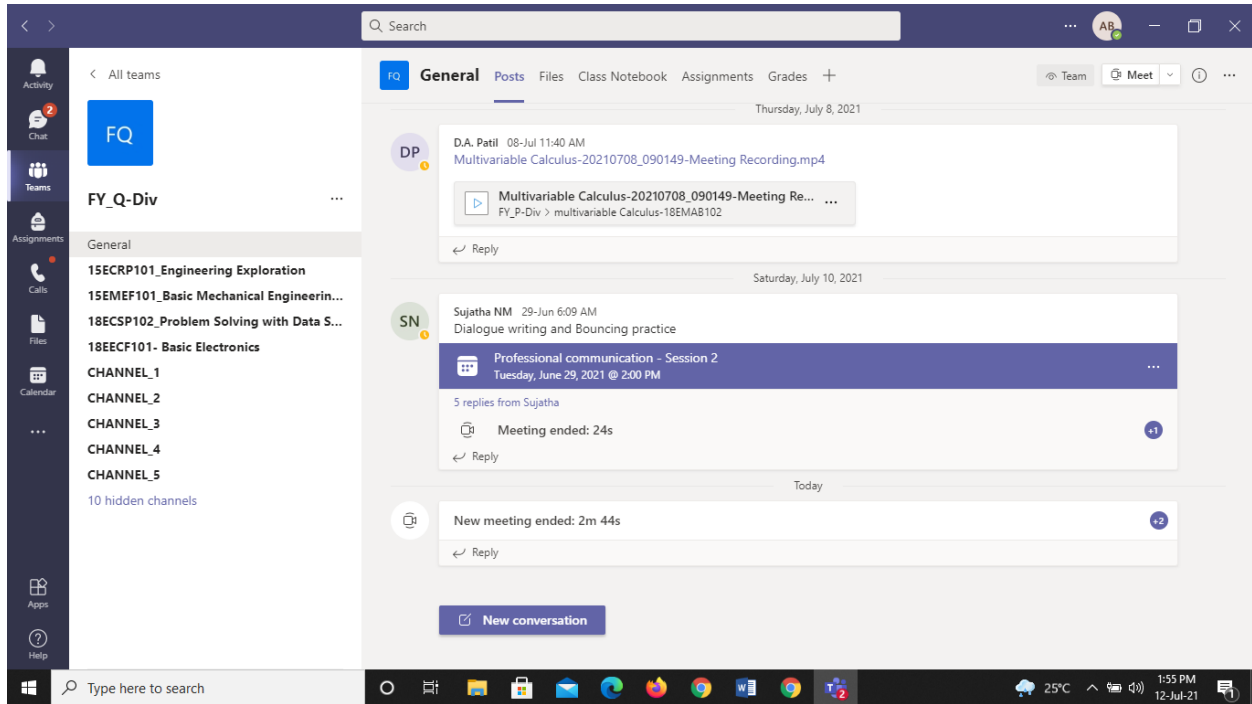
Login Page



Faculty Home Page



Details of Teams



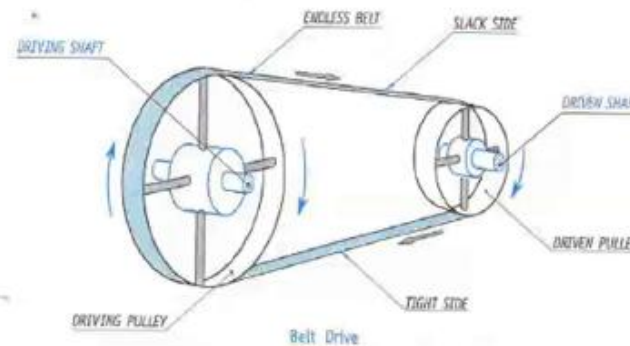
0 01fe20bae211	0 01fe20bae051	0 01fe20bae025
0 01fe20bae070	0 01fe20bae062	0 01fe20bae065
0 01fe20bae006	0 01fe20bae310	AB Anti Badger

A row of 13 small circular thumbnails is located below the grid. The first is a blue circle with '+34'. The next four are light green circles with '0'. The next four are light blue circles with '0'. The next four are light blue circles with '0'. The last is a light blue circle with '0'.

Activate Windows
Go to PC settings to activate Windows.

Belt drives

- Power is to be transmitted between the parallel shaft.
- Consists of two pulleys over which an endless belt is passed encircling the both.
- Rotary motion is transmitted from driving pulley to driven pulley.



15EMEF101_Basic Mechanical Engineering_Q

Recording has started. This meeting is being recorded. By joining, you are giving consent for this meeting to be recorded. [Privacy policy](#) Dismiss

Participants

Invite someone or dial a number

Share invite

In this meeting (62)

- AB Anil Badiger Organizer
- 01fe20bcs155
- 01fe20bcs196
- 01fe20bcs198
- 01fe20bcs208
- 01fe20bcs209
- 01fe20bcs211
- 01fe20bcs255

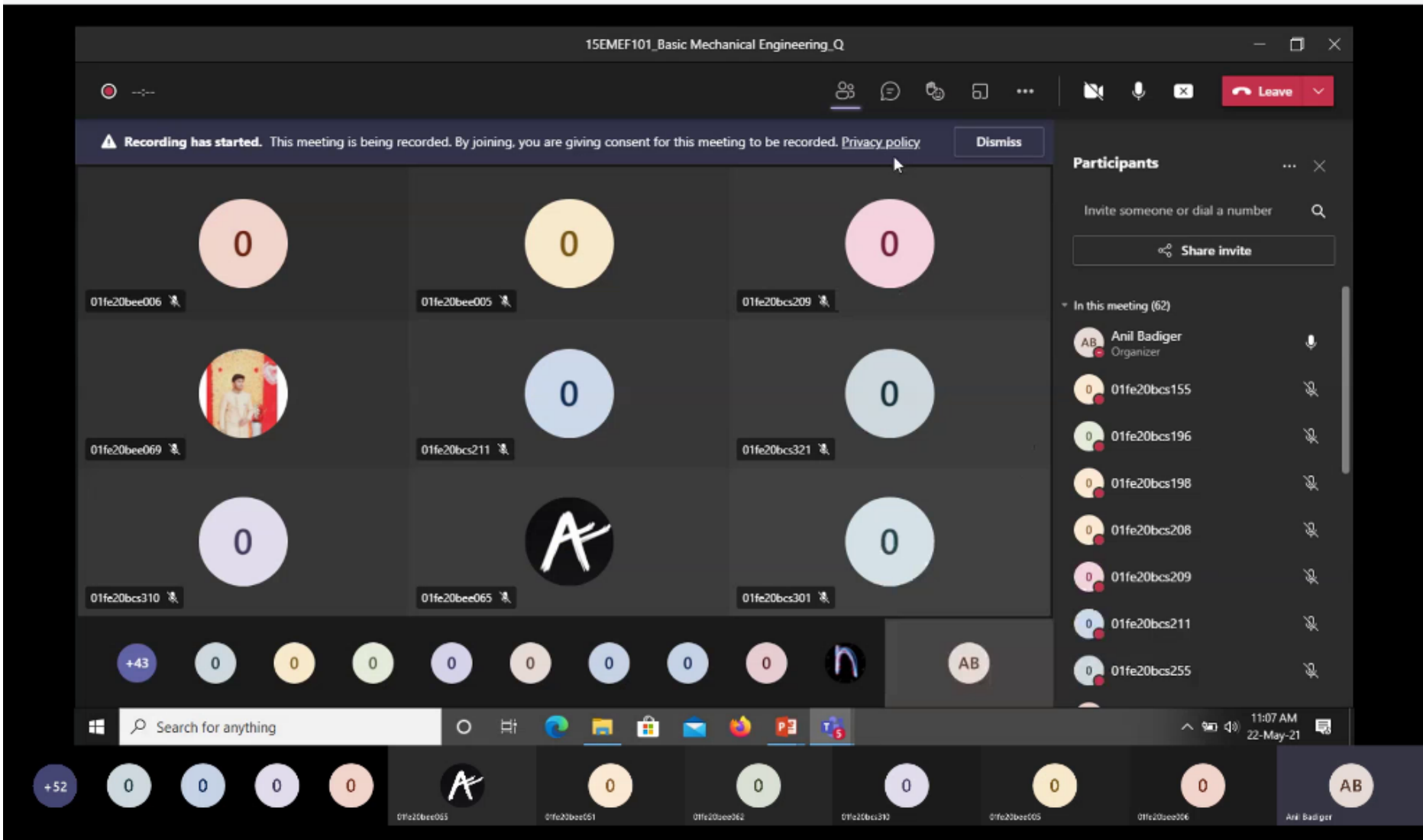
42:00

44:02

11:07 AM 22-May-21

105%

3:38 PM 21-Jul-21



Activate Windows
Go to PC settings to activate Windows.